

SURFACE

Hi-Spot SF 10w



Product Reference

Environment	Indoor
Installation	Ceiling/Wall Surface

Construction and Materials

Housing	Aluminium
Lens or Diffuser	Clear PMMA
Reflector	ABS metallised
Finish	Powder painted white/black

Thermal Management

Heat Sink material	Aluminium, Black anodised
Cooling technique	Passive

Optical System

Beam Angles(FWHM°)	Medium(36)
Beam Direction	Adjustable
Tilt	Yes
Swivel	No

Light Technology

Led fitted	CREE
Lumen Output at source	800 862 862
Co-related Colour temp.	2700K 3000K 4000K
Led life time @ L70	50,000 hours
Colour rendering	>80

Electrical System

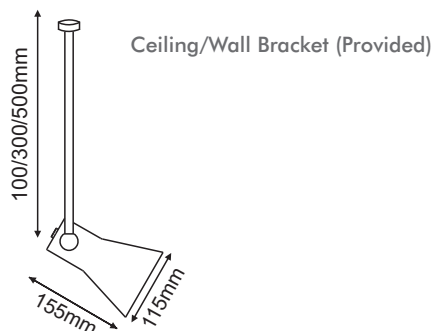
Driven with	Constant current driver
Input Voltage	220V-240V
Input Power	10.4w
Power Factor	>0.8
ATHD	-
Control Gear mounting	Integral

Dimming

Optional- Consult Abby Representative

Installation

Installation by



Application Legend



Ordering Information

Hi-Spot SF 10w

Product Code

Hi-Spot SF 10w
Warm white 2700K,
Medium (36), White,
Non dimmable

LED Colour

Warm white 2700K
Warm white 3000K
Neutral white 4000K

Beam Angle

Medium(36)

Finish

White
Black

Dimming Option

Non dimmable

Photometry

Hi-Spot SF 10w/WW27K/ /SWH/

