

SURFACE

iBlock Wash 10w



Product Reference

| | |
|--------------|-----------------|
| Environment | Indoor |
| Installation | Ceiling Surface |

Construction and Materials

| | |
|------------------|-----------------------------------|
| Housing | Aluminium & Steel |
| Lens or Diffuser | Clear PMMA |
| Reflector | ABS Metallised |
| Finish | Powder painted white/black/custom |

Thermal Management

| | |
|--------------------|---------------------------|
| Heat Sink material | Aluminium, Black anodised |
| Cooling technique | Passive |

Optical System

| | |
|--------------------|------------|
| Beam Angles(FWHM°) | Medium(36) |
| Beam Direction | Fixed |
| Tilt | No |
| Swivel | No |

Light Technology

| | |
|-------------------------|-----------------------|
| Led fitted | CREE |
| Lumen Output at source | 800 862 862 |
| Co-related Colour temp. | 2700K 3000K 4000K |
| Led life time @ L70 | 50,000 hours |
| Colour rendering | >80 |

Electrical System

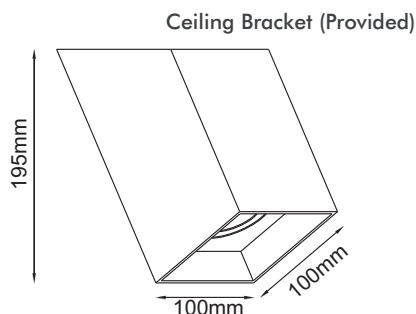
| | |
|-----------------------|-------------------------|
| Driven with | Constant current driver |
| Input Voltage | 220V-240V |
| Input Power | 10.4w |
| Power Factor | >0.8 |
| ATHD | - |
| Control Gear mounting | Remote |

Dimming

Optional- Consult Abby Representative

Installation

Installation by



Application Legend



Ordering Information

Product Code
iBlock Wash 10w,
Warm white 2700K,
Medium(36), White,
Non dimmable

LED Colour

Warm white 2700K
Warm white 3000K
Neutral white 4000K

Beam Angle

Medium(36)

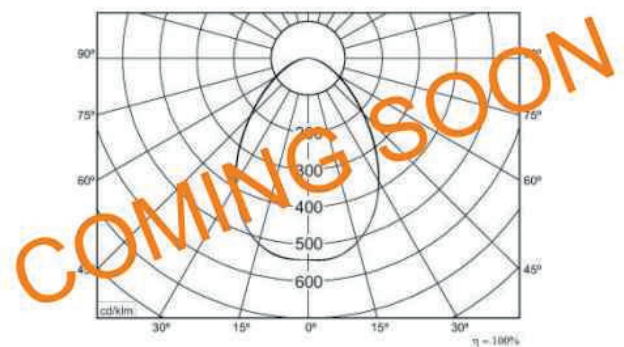
Finish

White
Black
Custom finish

Dimming Option

Non dimmable
1-10v dimmable driver
Phase dimmable driver
Dali dimmable driver

Photometry



iBlock Wash 10w

iBlock Wash 10w/WW27K/ /SWH/

