

# SURFACE

## iBlock Wash 17w



### Product Reference

Environment	Indoor
Installation	Ceiling Surface

### Construction and Materials

Housing	Aluminium & Steel
Lens or Diffuser	Clear PMMA
Reflector	PC Metallised
Finish	Powder painted white/black/custom

### Thermal Management

Heat Sink material	Aluminium, Black anodised
Cooling technique	Passive

### Optical System

Beam Angles(FWHM°)	Spot(16), Medium(28), Wide(42)
Beam Direction	Fixed
Tilt	No
Swivel	No

### Light Technology

Led fitted	CREE
Lumen Output at source	<b>1160</b> <b>1217</b> <b>1310</b>
Co-related Colour temp.	<b>2700K</b> <b>3000K</b> <b>4000K</b>
Led life time @ L70	50,000 hours
Colour rendering	>80

### Electrical System

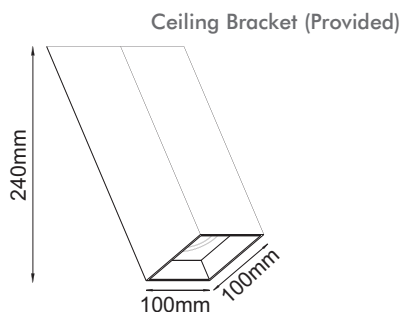
Driven with	Constant current driver
Input Voltage	100V-240V
Input Power	17.5w
Power Factor	>0.92
ATHD	<15%
Control Gear mounting	Remote

### Dimming

Optional- Consult Abby Representative

### Installation

Installation by



### Application Legend



### Ordering Information

**Product Code**  
iBlock Wash 17w,  
Warm white 2700K,  
Medium(28), White,  
Non dimmable

### LED Colour

Warm white 2700K  
Warm white 3000K  
Neutral white 4000K

### Beam Angle

Spot (16)  
Medium (28)  
Wide (42)

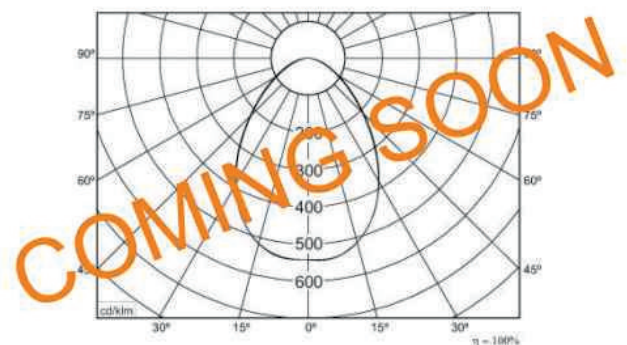
### Finish

White  
Black  
Custom finish

### Dimming Option

Non dimmable  
1-10v dimmable driver  
Phase dimmable driver  
Dali dimmable driver

### Photometry



### iBlock Wash 17w

iBlock Wash 17w/WW27K/MD/SWH/

