

SURFACE

iBlock Wash 24w



Product Reference

Environment	Indoor
Installation	Ceiling Surface

Construction and Materials

Housing	Aluminium & Steel
Lens or Diffuser	Clear PMMA
Reflector	PC Metallised
Finish	Powder painted white/black/custom

Thermal Management

Heat Sink material	Aluminium, Black anodised
Cooling technique	Passive

Optical System

Beam Angles(FWHM°)	Spot(16), Medium(28), Wide(42)
Beam Direction	Fixed
Tilt	No
Swivel	No

Light Technology

Led fitted	CREE
Lumen Output at source	1773 1897
Co-related Colour temp.	3000K 4000K
Led life time @ L70	50,000 hours
Colour rendering	>80

Electrical System

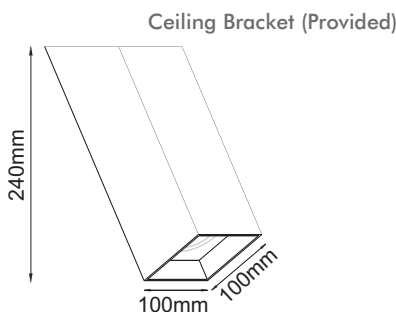
Driven with	Constant current driver
Input Voltage	100V-240V
Input Power	24w
Power Factor	>0.92
ATHD	<15%
Control Gear mounting	Remote

Dimming

Optional- Consult Abby Representative

Installation

Installation by



Application Legend



Ordering Information

Product Code
iBlock Wash 24w,
Warm white 3000K,
Medium(28), White,
Non dimmable

LED Colour
Warm white 3000K
Neutral white 4000K

Beam Angle

Spot (16)
Medium (28)
Wide (42)

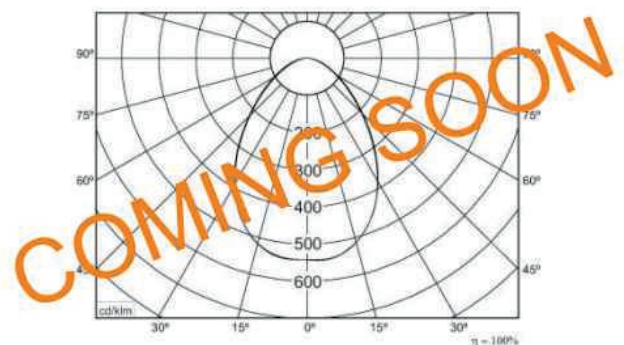
Finish

White
Black
Custom finish

Dimming Option

Non dimmable
1-10v dimmable driver
Phase dimmable driver
Dali dimmable driver

Photometry



iBlock Wash24w

iBlock Wash24w/WW30K/MD/SWH/

