

# TownSquare P 60 | 50W

## Product Reference

Environment Indoor

Installation Ceiling Suspended

## Construction & Materials

Housing Extruded and Sheet Aluminium

Primary Lens -

Primary Reflector White Optics

Secondary Reflector -

Body Finish White,Black,Custom

Diffuser Opal PC, Microprismatic

Antiglare Baffle -

## Thermal Management

Heat Sink Material Aluminium

Cooling Technique Passive Cooling

## Optical System

Beam Direction General Diffuse

Tilt No

Swivel No

## Electrical System

Driven with Constant Current Driver

Input Voltage/Hz 220V- 240V/50-60Hz

Control Gear Included

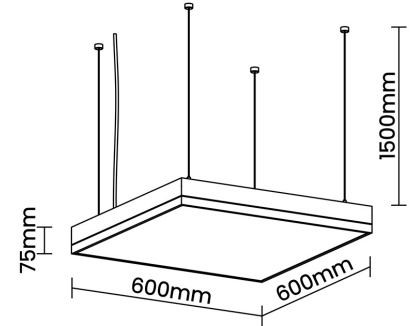
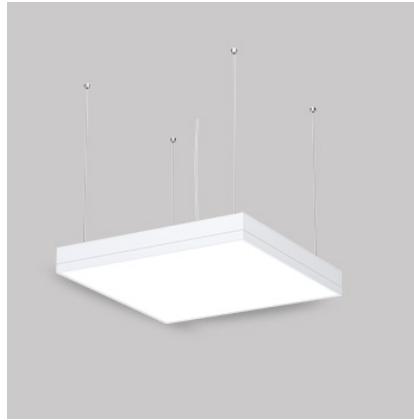
Mounting Integral

LED Power Watts 43.1W

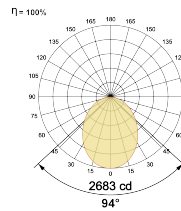
System Power Watts 49.5W

Operating Voltage  $V_{in}$  220-240 Vac

Power Factor p.f. > 0.95



## Light Distribution



## LED Technology

Binning 3 Step MacAdam

LED Life Time @ L80/B10 >50000 hours

Colour Rendering (CRI) CRI80,CRI90

Led Type SMD mid power

LED Fitted Osram/Samsung Mid power LED array 42V-48Vdc/1050mA

## Controls

Standard Switchable On/Off

Optional DDIM,CASAMBI,Non Dimmable

## Ordering Details

Code Example:	Name	Watt	CCT	CRI	Angle	Finish	Control
	<b>TownSquare P 60</b>	<b>50W</b>	<b>WW27K</b>	<b>CRI80</b>	<b>94°</b>	<b>SWH</b>	<b>On/Off</b>

Select one from each column with highlighted values to create the ordering code

NAME	WATT	LUMEN	EFFICACY	CCT	CRI	ANGLE	FINISH	CONTROL
TownSquare P 60	50W	5841	118	2700K	<b>WW27K</b>	94°	White	Non Dimmable
		6039	122	3000K	<b>WW30K</b>		Dali Dimmable	
		6386	129	4000K	<b>NW40K</b>		Casambi	
		6584	133	5700K	<b>CW57K</b>			
				2700K-5700K	<b>TW</b>			
TownSquare P 60	50W			<b>WW27K</b>	<b>CRI80</b>	<b>94°</b>	<b>SWH</b>	<b>On/Off</b>

