

TownSquare P 90 | 65W

Product Reference

Environment Indoor

Installation Ceiling Suspended

Construction & Materials

Housing Extruded and Sheet Aluminium

Primary Lens -

Primary Reflector White Optics

Secondary Reflector -

Body Finish White,Black,Custom

Diffuser Opal PC, Microprismatic

Antiglare Baffle -

Thermal Management

Heat Sink Material Aluminium

Cooling Technique Passive Cooling

Optical System

Beam Direction General Diffuse

Tilt No

Swivel No

Electrical System

Driven with Constant Current Driver

Input Voltage/Hz 220V- 240V/50-60Hz

Control Gear Included

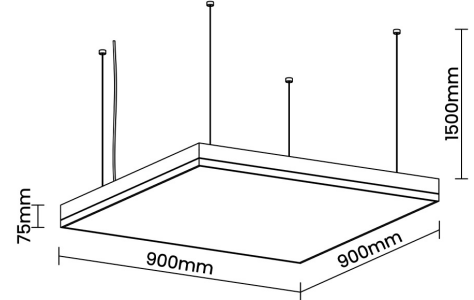
Mounting Integral

LED Power Watts 56.3W

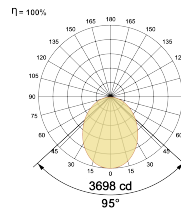
System Power Watts 64.7W

Operating Voltage V_{in} 220-240 Vac

Power Factor p.f. > 0.95



Light Distribution



LED Technology

Binning 3 Step MacAdam

LED Life Time @ L80/B10 >50000 hours

Colour Rendering (CRI) CRI80,CRI90

Led Type SMD mid power

LED Fitted Osram/Samsung Mid power LED array 42V-48Vdc/1400mA

Controls

Standard Switchable On/Off

Optional DDIM,CASAMBI,Non Dimmable

Ordering Details

| Code Example: | Name | Watt | CCT | CRI | Angle | Finish | Control |
|---------------|------------------------|------------|--------------|--------------|------------|------------|---------------|
| | TownSquare P 90 | 65W | WW27K | CRI80 | 95° | SWH | On/Off |

Select one from each column with highlighted values to create the ordering code

| NAME | WATT | LUMEN | EFFICACY | CCT | CRI | ANGLE | FINISH | CONTROL |
|-----------------|------|-------|----------|--------------|--------------|------------|------------|---------------|
| TownSquare P 90 | 65W | 8152 | 126 | 2700K | WW27K | 95° | White | Non Dimmable |
| | | 8411 | 130 | 3000K | WW30K | | Black | Dali Dimmable |
| | | 8929 | 138 | 4000K | NW40K | | Custom | Casambi |
| | | 9187 | 142 | 5700K | CW57K | | | CBTM |
| | | | | 2700K-5700K | TW | | | |
| TownSquare P 90 | 65W | | | WW27K | CRI80 | 95° | SWH | On/Off |

