

Hoopla Dark 120 | 75W

Product Reference

Environment Indoor

Installation Ceiling Suspended

Construction & Materials

Housing Extruded Aluminium

Primary Lens -

Primary Reflector PC metallised

Secondary Reflector Black Raster - PC

Body Finish White,Black,Custom

Diffuser PMMA Frosted

Antiglare Baffle -

Thermal Management

Heat Sink Material Aluminium

Cooling Technique Passive Cooling

Optical System

Beam Direction Fixed

Tilt No

Swivel No

Electrical System

Driven with Constant Current Driver

Input Voltage/Hz 220V- 240V/50-60Hz

Control Gear Included

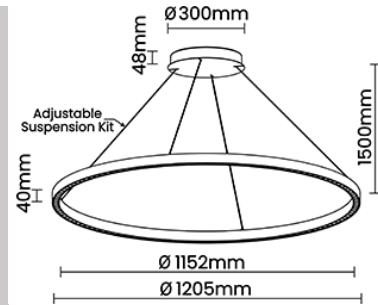
Mounting Integral

LED Power Watts 64.8W

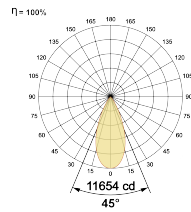
System Power Watts 74.5W

Operating Voltage Vin 220-240 Vac

Power Factor p.f. > 0.95



Light Distribution



LED Technology

Binning 3 Step MacAdam

LED Life Time @ L70/B10 >50000 hours

Colour Rendering (CRI) CRI80,CRI90

Led Type SMD high power

LED Fitted Cree 3030 LED 33V-36Vdc/1900mA

Controls

Standard Switchable On/Off

Optional PDIM,DDIM,BTTM,CASAMBI,Non Dimmable

Ordering Details

Code Example:	Name	Watt	CCT	CRI	Angle	Finish	Control
	Hoopla Dark 120	75W	WW27K	CRI80	45°	SWH	On/Off

Select one from each column with highlighted values to create the ordering code

NAME	WATT	LUMEN	EFFICACY	CCT	CRI	ANGLE	FINISH	CONTROL	
Hoopla Dark 120	75W	6556	88	2700K	WW27K	45°	White	Non Dimmable	On/Off
		6780	91	3000K	WW30K		Black	Phase Dimmable	PDIM
		7078	95	4000K	NW40K		Custom	Dali Dimmable	DDIM
		7227	97	5700K	CW57K			Bluetooth Dimmable	BTTM
							Casambi	CBTM	
Hoopla Dark 120	75W			WW27K	CRI80	45°	SWH	On/Off	