

# Spot on Framer SR 85

## Wide Beam | 28W

### Product Reference

Environment Indoor

Installation Semi Recess

### Construction & Materials

Housing Aluminium

Primary Lens PMMA

Primary Reflector -

Secondary Reflector -

Body Finish Black

Diffuser -

Antiglare Baffle -

### Thermal Management

Heat Sink Material Aluminium

Cooling Technique Passive Cooling

### Optical System

Beam Direction Adjustable

Tilt Yes

Swivel Yes

### Electrical System

Driven with Constant Current Driver

Input Voltage/Hz 220V- 240V/50-60Hz

Control Gear Included

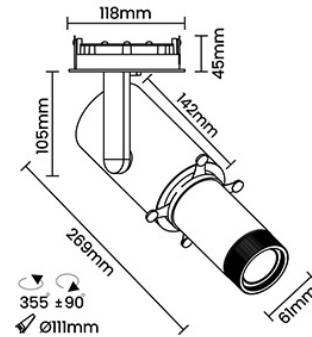
Mounting Remote

LED Power Watts 23.8W

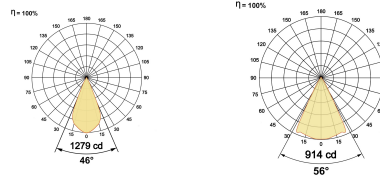
System Power Watts 27.4W

Operating Voltage  $V_{in}$  220-240 Vac

Power Factor p.f. > 0.95



### Light Distribution



### LED Technology

Binning 3 Step MacAdam

LED Life Time @ L80/B10 >50000 hours

Colour Rendering (CRI) CRI80,CRI90

Led Type COB

LED Fitted Cree COB LED 36Vdc/700mA

### Controls

Standard Switchable On/Off

Optional PDIM,DDIM,Non Dimmable

### Ordering Details

Code Example:	Name	Watt	CCT	CRI	Angle	Finish	Control
	<b>Spot on Framer SR 85 Wide Beam</b>	<b>28W</b>	<b>WW27K</b>	<b>CRI80</b>	<b>46°-56°</b>	<b>SBL</b>	<b>On/Off</b>

Select one from each column with highlighted values to create the ordering code

NAME	WATT	LUMEN	EFFICACY	CCT	CRI	ANGLE	FINISH	CONTROL
<b>Spot on Framer SR 85 Wide Beam</b>	<b>28W</b>	630	23	2700K <b>WW27K</b>	<b>CRI80</b>	46°-56°	Black <b>SBL</b>	Non Dimmable <b>On/Off</b>
		658	24	3000K <b>WW30K</b>	CRI90			Phase Dimmable <b>PDIM</b>
		712	26	4000K <b>NW40K</b>				Dali Dimmable <b>DDIM</b>
		740	27	5700K <b>CW57K</b>				
<b>Spot on Framer SR 85 Wide Beam</b>	<b>28W</b>			<b>WW27K</b>	<b>CRI80</b>	<b>46°-56°</b>	<b>SBL</b>	<b>On/Off</b>