

Mojo 65 HGB VWD | 28W

Product Reference

Environment Indoor
Installation Track Mounted

Construction & Materials

Housing Aluminium
Primary Lens -
Primary Reflector PC metallised
Secondary Reflector Anodised
Body Finish White,Black
Diffuser -
Antiglare Baffle -

Thermal Management

Heat Sink Material Die cast Aluminium
Cooling Technique Passive Cooling

Optical System

Beam Direction Adjustable
Tilt Yes
Swivel Yes

Electrical System

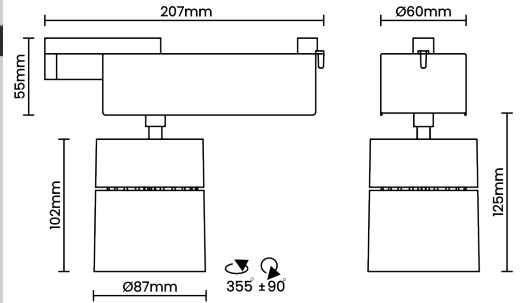
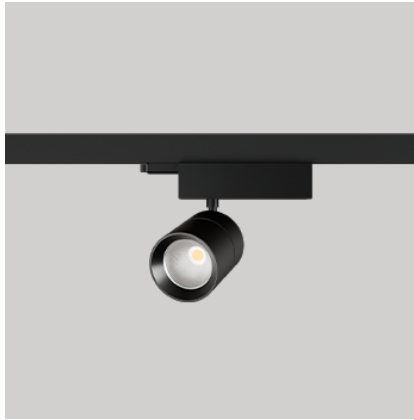
Driven with Constant Current Driver
Input Voltage/Hz 220V- 240V/50-60Hz
Control Gear Included
Mounting Integral
LED Power Watts 24.6W
System Power Watts 28.3W
Operating Voltage Vin 220-240Vac
Power Factor p.f. >0.95

Ordering Details

Code Example:	Name	Watt	CCT	CRI	Angle	Finish	Control
	Mojo 65 HGB VWD	28W	WW27K	CRI80	51°	SWH	On/Off

Select one from each column with highlighted values to create the ordering code

NAME	WATT	LUMEN	EFFICACY	CCT	CRI	ANGLE	FINISH	CONTROL
Mojo 65 HGB VWD	28W	2660	94	2700K	WW27K	51°	White	Non Dimmable
		2745	97	3000K	WW30K		Black	Dali Dimmable
		2887	102	4000K	NW40K			Bluetooth Dimmable
		2943	104.2	5700K	CW57K			Casambi
Mojo 65 HGB VWD	28W			WW27K	CRI80	51°	SWH	On/Off



Light Distribution

LED Technology

Binning 3 Step MacAdam
LED Life Time @ L80/B10 >50000 hours
Colour Rendering (CRI) CRI80,CRI90
Led Type COB
LED Fitted Cree COB LED 33V-36Vdc/700mA

Controls

Standard Switchable On/Off
Optional DDIM,BTTC,CASAMBI