

# Bling M | 5W

## Product Reference

Environment Indoor  
Installation Ceiling Recess

## Construction & Materials

Housing Milled Aluminium  
Primary Lens -  
Primary Reflector PC metallised  
Secondary Reflector -  
Body Finish White,Black,Custom  
Diffuser -  
Antiglare Baffle -

## Thermal Management

Heat Sink Material Aluminium  
Cooling Technique Passive Cooling

## Optical System

Beam Direction Adjustable  
Tilt Yes  
Swivel No

## Electrical System

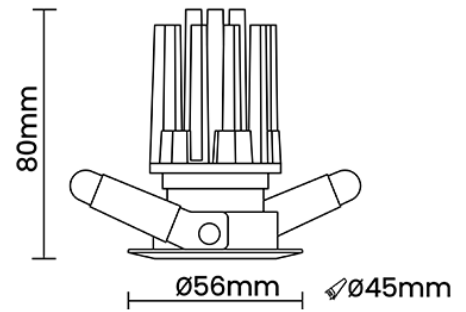
Driven with Constant Current Driver  
Input Voltage/Hz 220V- 240V/50-60Hz  
Control Gear Included  
Mounting Remote  
LED Power Watts 3.5W  
System Power Watts 4.4W  
Operating Voltage Vin 220-240 Vac  
Power Factor p.f. > 0.5

## Ordering Details

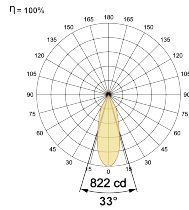
Code Example:	Name	Watt	CCT	CRI	Angle	Finish	Control
	<b>Bling M</b>	<b>5W</b>	<b>WW27K</b>	<b>CRI80</b>	<b>33°(MD)</b>	<b>SWH</b>	<b>On/Off</b>

Select one from each column with highlighted values to create the ordering code

NAME	WATT	LUMEN	EFFICACY	CCT		CRI	ANGLE		FINISH		CONTROL	
<b>Bling M</b>	<b>5W</b>	330	75	2700K	<b>WW27K</b>	<b>CRI80</b>	33°(MD)	33°(MD)	White	<b>SWH</b>	Non Dimmable	<b>On/Off</b>
		352	80	3000K	<b>WW30K</b>	CRI90			Black	<b>SBL</b>	Phase Dimmable	<b>PDIM</b>
		374	85	4000K	<b>NW40K</b>		Custom	<b>CSM</b>	Dali Dimmable	<b>DDIM</b>		
		383	87	5700K	<b>CW57K</b>				Casambi	<b>CBTM</b>		
						Warm to Dim	<b>W2D</b>					
<b>Bling M</b>	<b>5W</b>			<b>WW27K</b>		<b>CRI80</b>	<b>33°(MD)</b>		<b>SWH</b>		<b>On/Off</b>	



## Light Distribution



## LED Technology

Binning 3 Step MacAdam  
LED Life Time @ L80/B10 >50000 hours  
Colour Rendering (CRI) CRI80,CRI90  
Led Type COB  
LED Fitted CREE COB LED 36Vdc/130mA

## Controls

Standard Switchable On/Off  
Optional PDIM,DDIM,CASAMBI,Non Dimmable